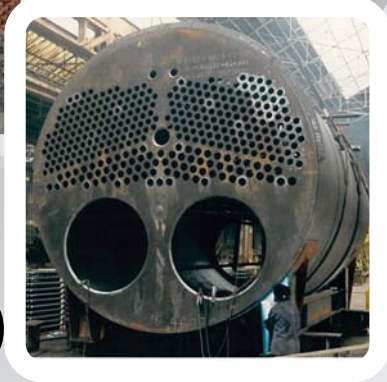
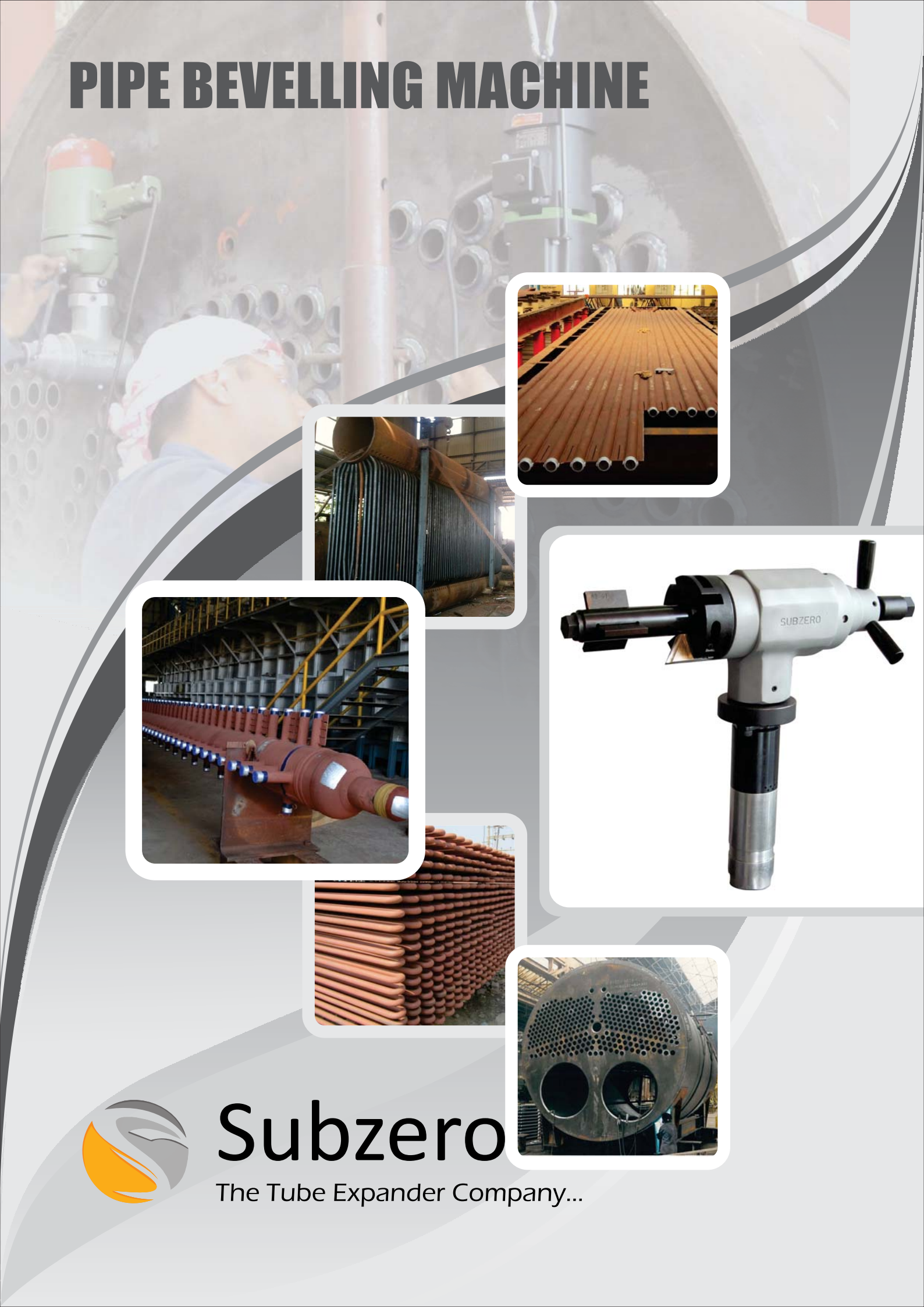


PIPE BEVELLING MACHINE



Subzero

The Tube Expander Company...

TBM 1580

Portable pipe beveling machine

Range: 20 - 42 mm ID (Optional from 16 mm ID).

Functions: Beveling, facing, counterboring, weld removal.

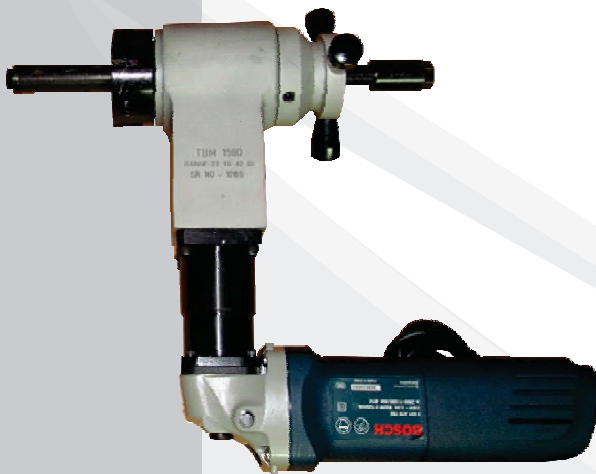
Materials: Any kind of Steel.

Power: Pneumatic / Electric (220v)

Note: Light weight machine & best suitable for use in restricted area.



TBM 1580 - P



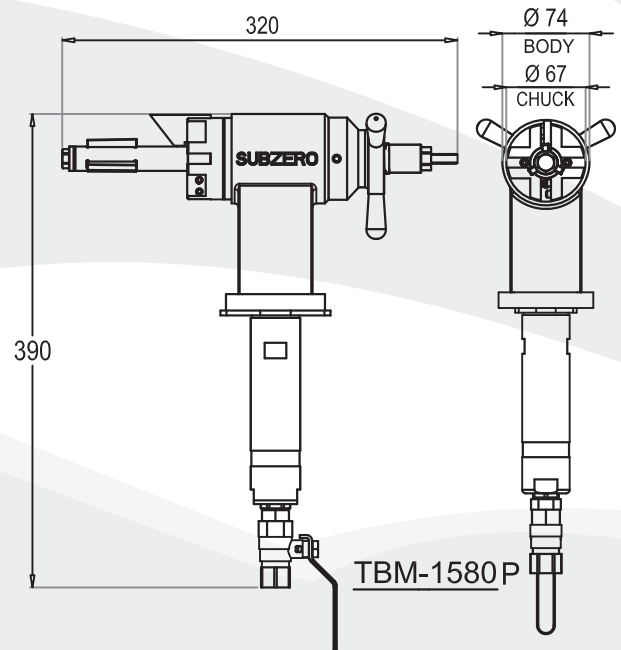
TBM 1580 - EB

Electric version available or
a conversion kit to easily
change pneumatic to electric.



TBM 1580

PARAMETER	UNIT	TBM 1580	
		EB	P
Free Cutter Speed	RPM	Variable Speed 50-144	156
Type	-	Electric	Pneumatic
Power	WATTS	306	336
Air Consumption	CFM	-	16
Operating Air	PSI	-	90
Voltage	V	230	-
Min Inside Dia	MM	20	20
Max Outside Dia	MM	65	65
Clamping Range (inside diameter)	MM	20-42	20-42
Optional Clamping Range	MM	16-20	16-20
Feed Stroke	MM	20	20
Material	-	CS & SS	CS & SS
Standard Weight	KG	6.5	5.5



Shaft



Standard

RANGE : 20 - 42 mm

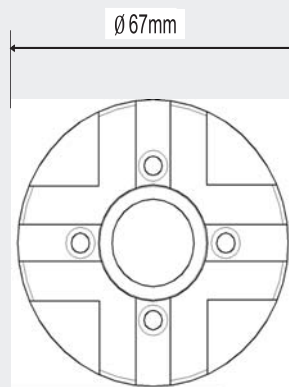
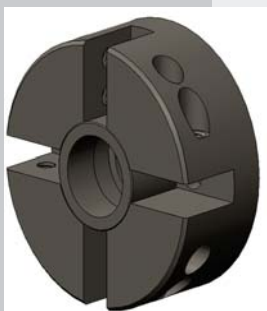


Optional



RANGE : 16 - 20 mm

Holder



Portable pipe beveling machine

Range: 28 - 76 mm ID
(Optional from 20 mm ID).

Functions: Beveling, facing & weld removal.

Materials: Any kind of steel.

Power: Pneumatic / Electric.

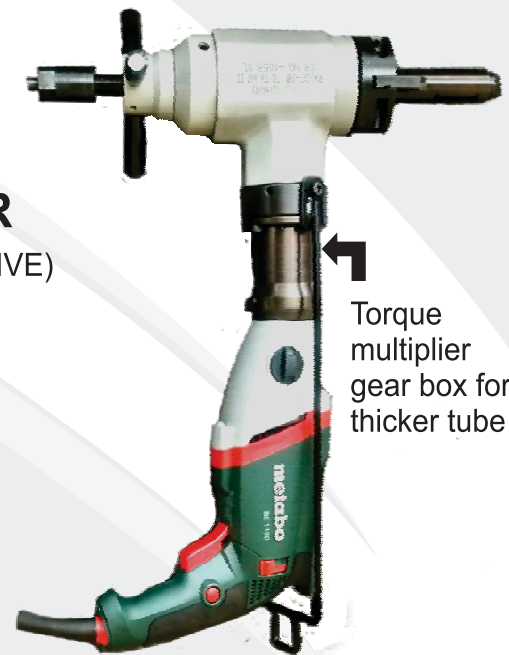
Note: Popular machine in boiler repair & Erection Work.



TBM 3000 - P



TBM 3000 - ER
(INDIAN ELECTRIC DRIVE)

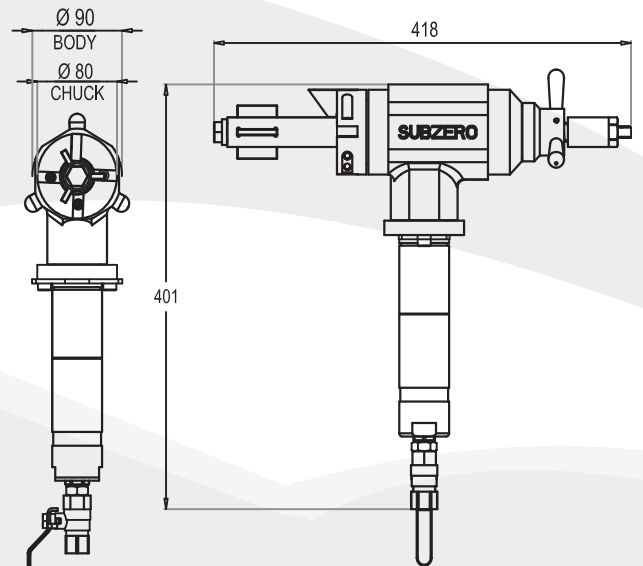


TBM 3000 - EG
(GERMAN ELECTRIC DRIVE)



TBM 3000

PARAMETER	UNIT	TBM3000		
		ER	EG	P
Free Cutter	Rpm	140	Variable Speed 5-90	110
Type	-	Electric	Electric	Pneumatic
Power	WATT	596	1100	619
Air Consumption	CFM	-	-	42
Air Pressure	PSI	-	-	90
Voltage	V	230	230	-
Min Inside Dia	MM	28	28	28
Max Outside Dia	MM	80	80	80
Clamping Range (inside diameter)	MM	28-76	28-76	28-76
Optional Clamping Range	MM	20-30	20-30	20-30
Feed Stroke	MM	40	40	40
Material	-	CS &	CS & SS	CS &
Standard Weight	KG	15	11.5	9



TBM-3000P

Shaft



Standard

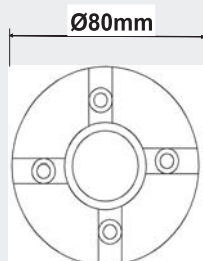
RANGE : 28 - 76 mm



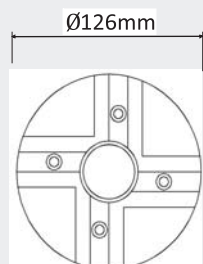
Optional

RANGE : 20 - 30 mm

Holder



Standard



Optional



TBM 4000

Portable Pipe beveling machine

Range: 39 - 104 mm ID .

Functions: Beveling, Facing, Counter Boring & Weld Removal.

Materials: Any kind of steel.

Power: Pneumatic / Electric.

Note: A powerful machine able to produce fast accurate weld preps on any schedule and material of pipe effortlessly.



TBM 4000 - P

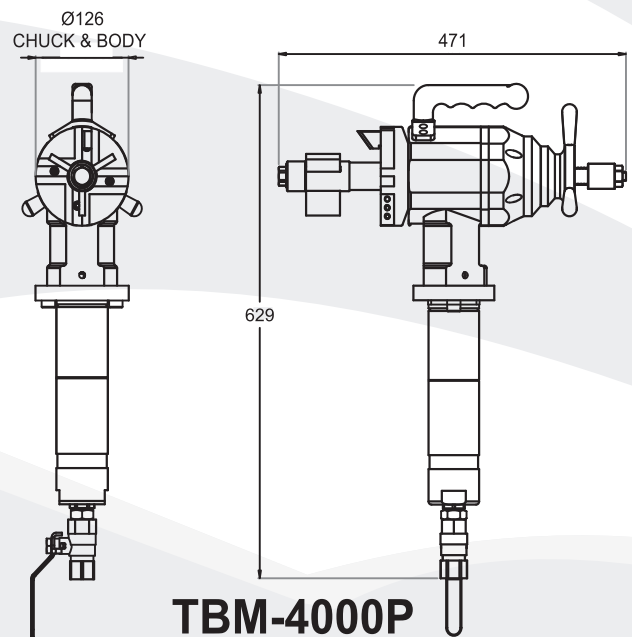


TBM 4000 - EG



TBM 4000

PARAMETER	UNIT	TBM4000	
		EG	P
Free Speed	Rpm	Variable Speed 18-152	40
Type	-	Electric	Pneumatic
Power	WATTS	1800	970
Air Consumption	CFM	-	46
Air Pressure	PSI	-	90
Voltage	V	230	-
Min Inside Dia	MM	39	39
Max Outside Dia	MM	120	120
Clamping Range (inside diameter)	MM	39-104	39-104
Optional Clamping Range	MM	NA	NA
Feed Stroke	MM	40	40
Material	-	CS & SS	CS & SS
Standard Weight	KG	23.0	21.0



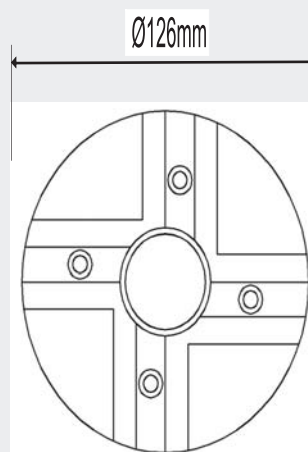
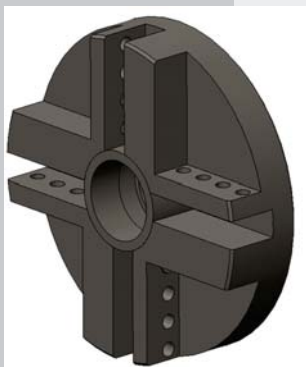
TBM-4000P

Shaft



RANGE : 39 - 104 mm

Holder



TBM 8000

Portable pipe beveling machine

Range: 49 - 203 mm ID.

Functions: Beveling, Facing, Counter Boring

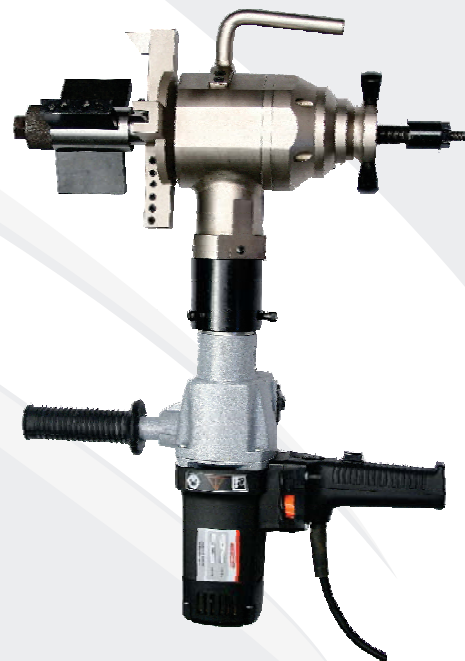
Materials: Any kind of steel.

Power: Pneumatic / Electric

Note: A powerful machine able to produce fast accurate weld preps on any schedule and material of pipe effortlessly.



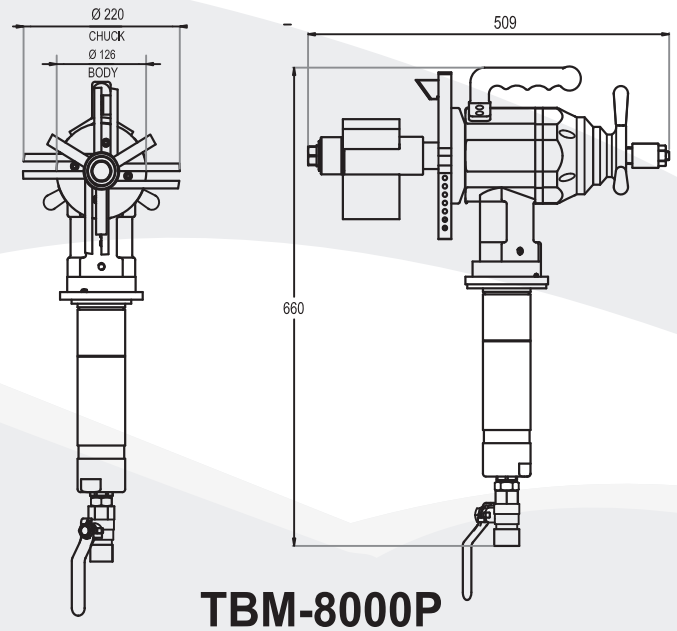
TBM 8000 - P



TBM 8000 - EG

TBM 8000

PARAMETER	UNIT	TBM8000	
		EG	P
Free Speed	Rpm	Variable Speed 10-125	40
Type	-	Electric	Pneumatic
Power	WATTS	1800	970
Air Consumption	CFM	-	46
Air Pressure	PSI	-	90
Voltage	V	230	-
Min Inside Dia	MM	51	51
Max Outside Dia	MM	220	220
Clamping Range (inside diameter)	MM	51-203	51-203
Optional Clamping Range	MM	NA	NA
Feed Stroke	MM	40	40
Material	-	CS & SS	CS & SS
Standard Weight	KG	30.0	26.5

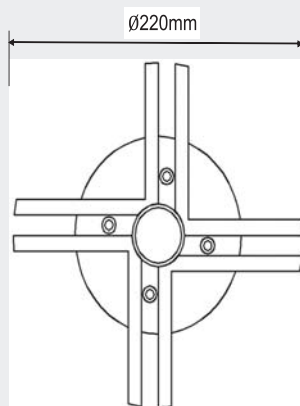


Shaft



RANGE : 51 - 203 mm

Holder



PANEL MASTER

PARAMETER	UNIT	PANEL MASTER - 3E	PANEL MASTER - 3P
Torque	NM	140	100
Type	-	Electric	Pneumatic
Air Consumption	CFM	-	42.4
Air Pressure	PSI	-	90
Voltage	VOLTS	230	-
Min Outside Dia	MM	19.0	19.0
Max Outside Dia	MM	76.2	76.2
Tube Thickness	MM	15.0 MAX	15.0 MAX
Feed Stroke	MM	25.0	25.0
Material	-	CS & SS	CS & SS
Standard Weight	KG	10.0	10.0

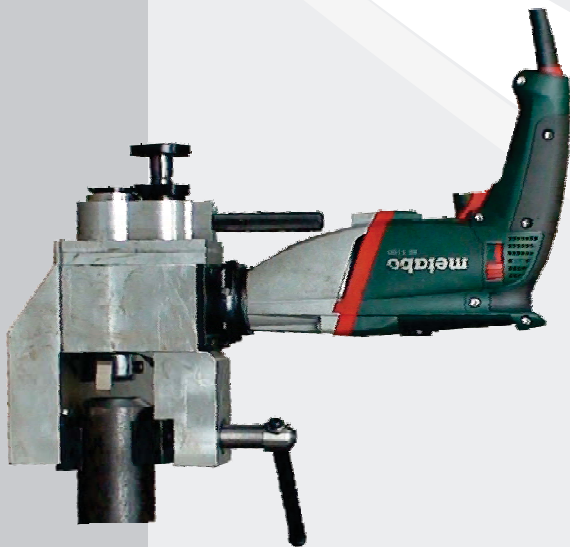
The SUBZERO Panel Master hold the outside dia of tube & apply strong clamping force to avoid vibration & chattering during operation

This rugged machine covered maximum range of 3" OD tube & available with several cutters..

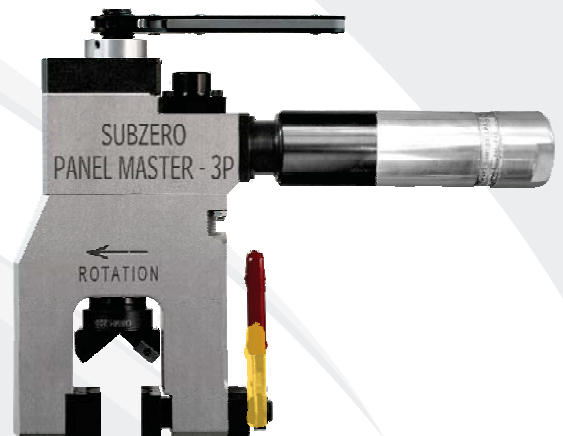
Quick and secure clamping allows for maximum comfort, efficiency, safety, and ease of use.

Both the clamp and cutter heads are extremely durable and easy to change. The ratchet feed design allow the operator to comfortably feed the tool during bevelling or facing.

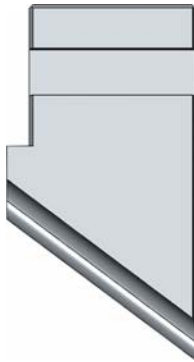
The Panel Master is suitable for small bore heavy wall tubes with a high percentage of chrome, stainless steel and other alloys. Standard and custom made blades are offered in a wide variety of angles and sizes.



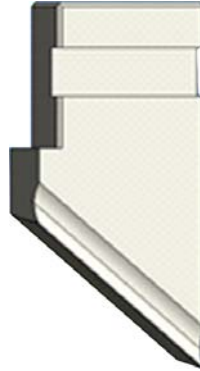
PANEL MASTER - 3E



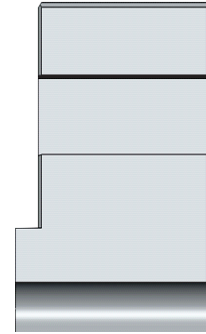
PANEL MASTER - 3P



Chamfering Tool Bit
37.5°

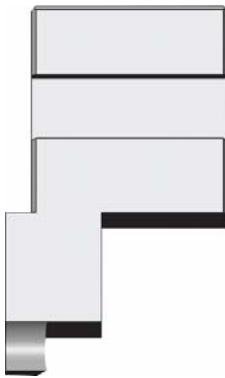


Chamfering Tool Bit
45°

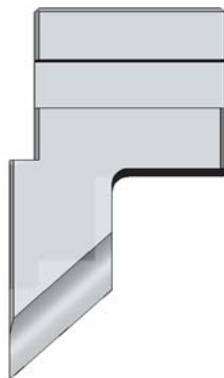


Facing Tool Bit

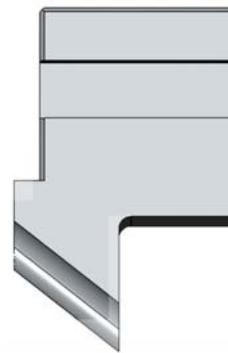
STANDARD TOOL BITS



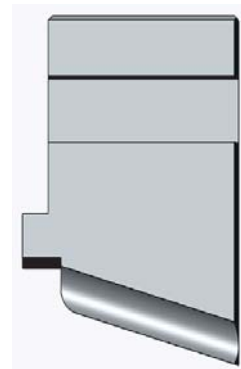
Counterboring



Internal Bevelling



External Bevelling



J Groove

OPTIONAL TOOL BITS

INSERT TYPE TOOL BITS



Chamfering



Facing

